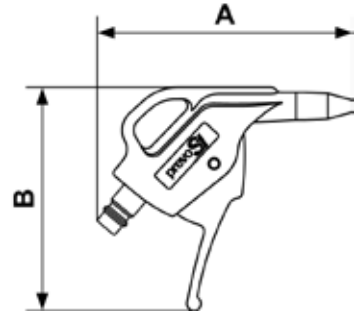


PREVO S1 BLOW GUNS - HIGH FLOW PROFILE - 3/8

prevoS1 blow gun with composite nozzle

Profile : EUROPEAN



Blowing force	Dynamic pressure	Max. operating pressure	ID passage
10 OZF	36.3 psi	174 psi	3/8"

Part number	Flow rate at 87 psi (CFM)	Sound level (dBA)	Length (ft)	ID passage (inch)	Net weight (Kg)	Dim. A (inch)	Dim. B (inch)
EBG 07PRE	8	85	0.154	3/8"	0,079	4.37	3.82